

# **SAMBA**

## Tri-Band GSM/GPRS Modem

- Integrated Tri-Band GSM / GPRS engine
- Data, SMS, Fax, Voice
- Integrated SIM interface
- GPRS class 10
- GSM antenna included
- Plug-n-Play
- USB serial link
- Audio interface
- Windows driver
- Very lightweight
- Low power consumption
- Available in 2 versions:
  - SAMBA 55: GSM 900/1800/1900 MHz
  - SAMBA 56: GSM 850/1800/1900 MHz



### The Falcom **SAMBA**

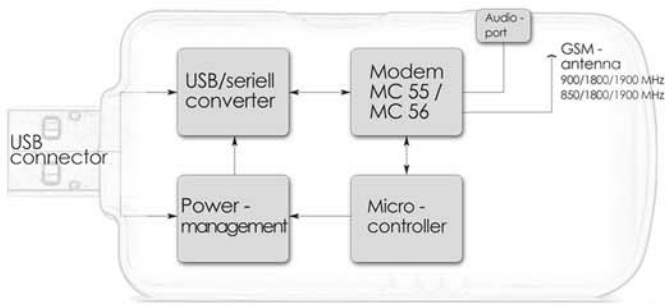
is a plug'n'play device in extremely small size, which provides a powerful state-of-the-art technology and makes it almost perfect for a quick and easy way to plug in GSM or GPRS functionality into your systems. The embedded USB interface allows direct connections to a USB serial port of desktop or notebook computers.

The SAMBA can send and receive data by GSM and GPRS. It features GPRS multislots class 10 and supports the GPRS coding schemes CS-1, CS-2, CS-3 and CS-4.

It supports voice, SMS, FAX as well as offers a choice of seven ring tones/melodies. The SAMBA modem can be easily controlled by using AT commands for all kind of operation.



## SAMBA Block diagram



## Requirements

### Software

- HyperModem or other terminal programs
- OS: Windows® 2000 / XP
- Web-browser and e-mail client

### Hardware

- Pentium® 90 or higher with CD-ROM drive
- A valid SIM card
- Free compatible USB port
- Appr. 6 Mb of free hard disk space



## Technical specifications

General	Basic features
Tri-Band GSM/GPRS modem	Telephony (TCH/FS) and emergency calls;
E-GSM900 / DCS1800 / PCS1900 MHz	full rate, enhanced full rate, half rate
Class 4 (2W) for EGSM900	and adaptive multi rate (AMR), dual tone
Class 1 (1W) for DCS1800 / PCS1900	multi frequency function (DTMF)
Small size and low power consumption	SMS (GSM and GPRS mode): text and PDU,
Voice, SMS	point to point MT and MO, SMS broadcast
Fax and data transmission without extra hardware	GSM circuit data features: transparent and non
Internal 3 V SIM interface	transparent up to 9600 bps, group 3: class 1,
Easy remote control by AT commands for	class 2, alternate speech and fax, MNP 2
dedicated applications	GPRS packet data features:
Fully type approved according to	data downlink transfer: max. 85.6 kbps;
GSM phase 2+ specification	data uplink transfer: max. 42.8 kbps;
Fully shielded and ready-to-use	coding schemes CS-1 to CS-4
	WAP compliant and compliant with SMG 31
<b>Electrical characteristics</b>	GSM supplementary services: call forwarding,
Power supply: +5 V DC (through USB port)	call barring, multiparty, call waiting and
	call hold, calling line identity, advice
	of charge, USSD, closed user group
<b>Physical characteristics</b>	
Dimensions: (L x W x H)	
88.7 mm x 37.6 mm x 12.6 mm	
Weight: 79 g	<b>Other features</b>
Normal range temperature: -20°C to +55°C	SM, FD, LD, MC, RC, ON, ME + SIM phone
Restricted operation:	book management
-25°C to -20°C and +55°C to +70°C	Fixed dialling number, SIM toolkit class 2
	SIM, network and service provider locks
<b>Interfaces</b>	Real time clock
Headset jack	Alarm management
Internal SIM interface: 3 V only	UCS 2 character set management
USB serial link	
Firmware upgrade:	
over USB interface and SIM card	

Distributor: